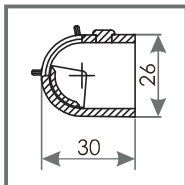
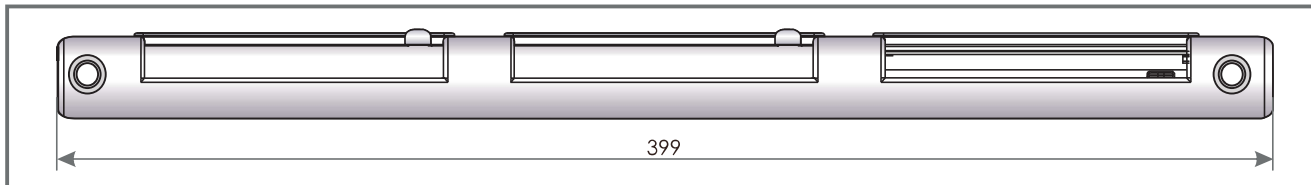


MANUALLY SETTABLE AIR INLET VENTEC VT 501

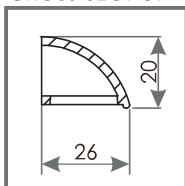
CROSS-SECTION VT 500



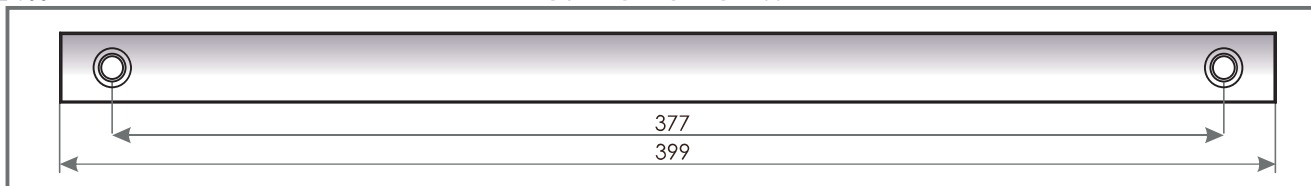
MANUALLY SETTABLE AIR INLET VT 500



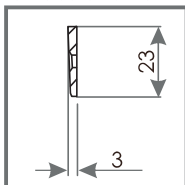
CROSS-SECTION OZ 100



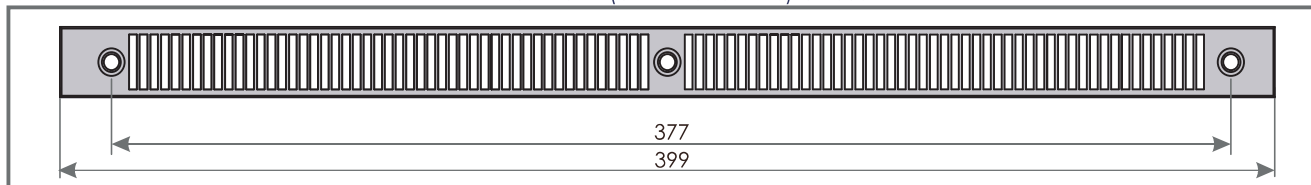
OUTER CANOPY OZ 100



CROSS-SECTION OZ 300



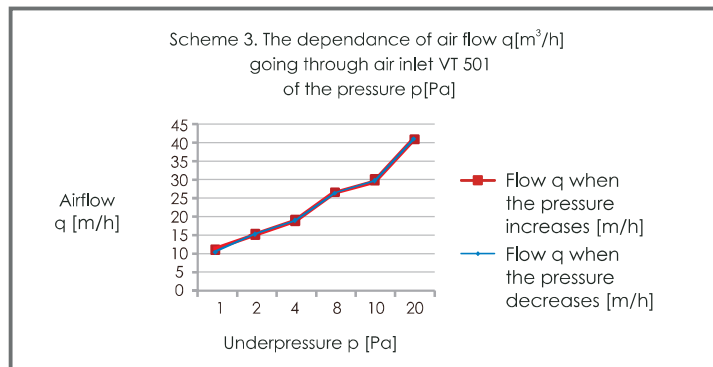
FLAT CANOPY (UNDER SHUTTERS) OZ 300



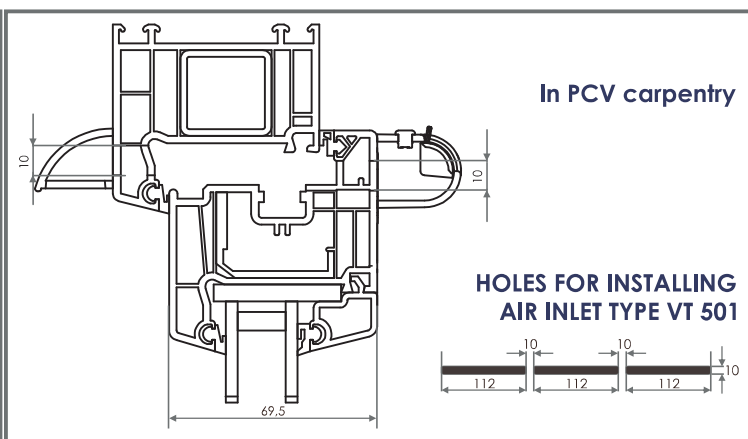
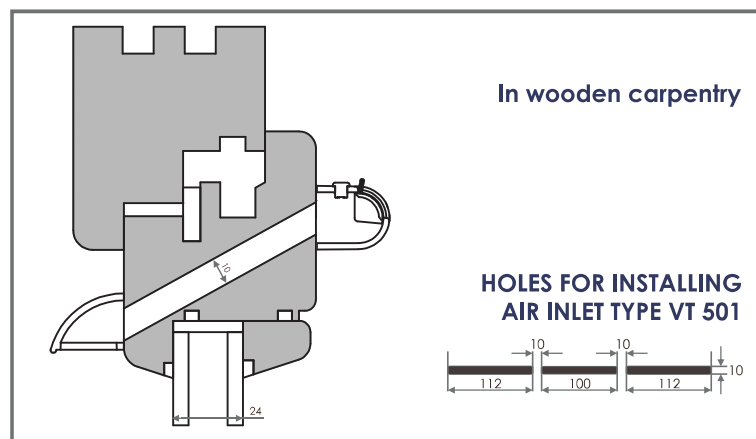
TECHNICAL CHARACTERISTICS

Airflow	30 m ³ /h ($\Delta p = 10$ Pa)
Airflow**	43 m ³ /h ($\Delta p = 20$ Pa)
Acoustic open air inlet	$D_{n,e,w}(C;C_{tr}) = 32 (-1; 0)$ dB
Acoustic closed air inlet	$D_{n,e,w}(C;C_{tr}) = 34 (0; 0)$ dB

** Value at holes (110 - 100 - 110 x 10) mm x 1. For calculations of fresh air supply requirement for mechanical exhaust ventilation system, negative pressure of 20 Pa should be assumed.



THE WAY OF INSTALLATION



VENTEC VT 501 - shades variety

Symbol	VT501	VT512	VT513	VT514	VT515	VT522	VT523	VT524	VT525
Inner colour	RAL 9003	RAL 9003	RAL 9003	RAL 9003	RAL 9003	RAL 8001	RAL 8017	RAL 7012	RAL 7016
Outer colour	RAL 9003	RAL 8001	RAL 8017	RAL 7012	RAL 7016	RAL 8001	RAL 8017	RAL 7012	RAL 7016