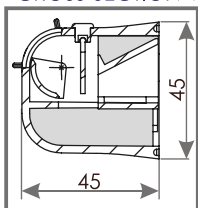
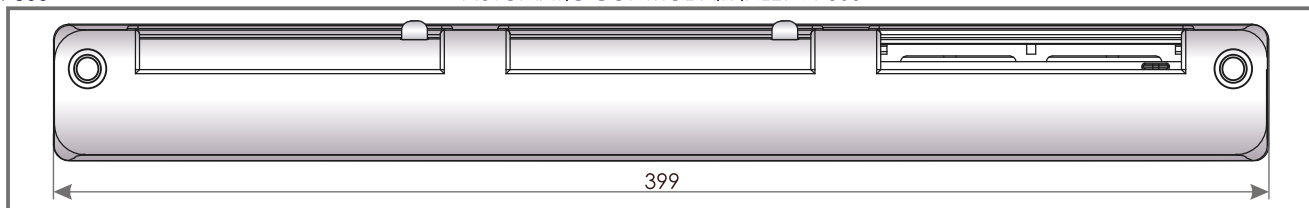


ACOUSTIC AIR INLET VENTEC VT 301

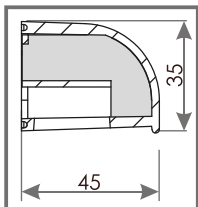
CROSS-SECTION VT 300



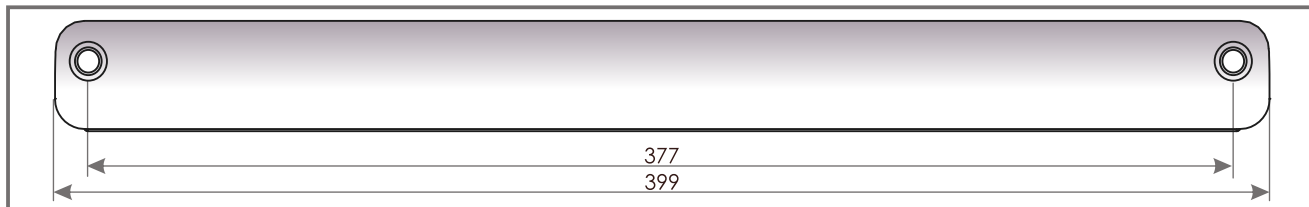
AUTOMATIC CONTROL AIR INLET VT 300



CROSS-SECTION 400



ACOUSTIC CANOPY OZ 400



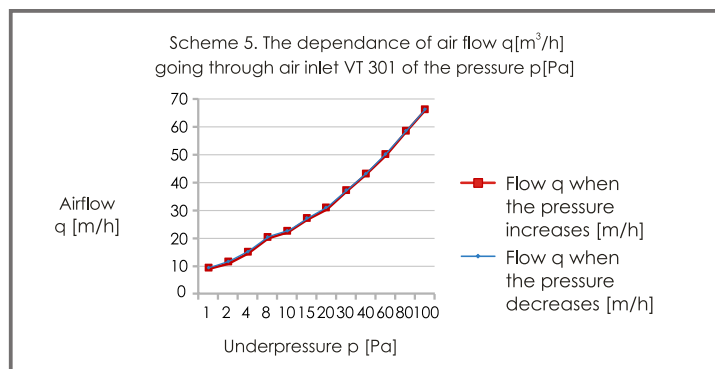
TECHNICAL CHARACTERISTICS

Airflow

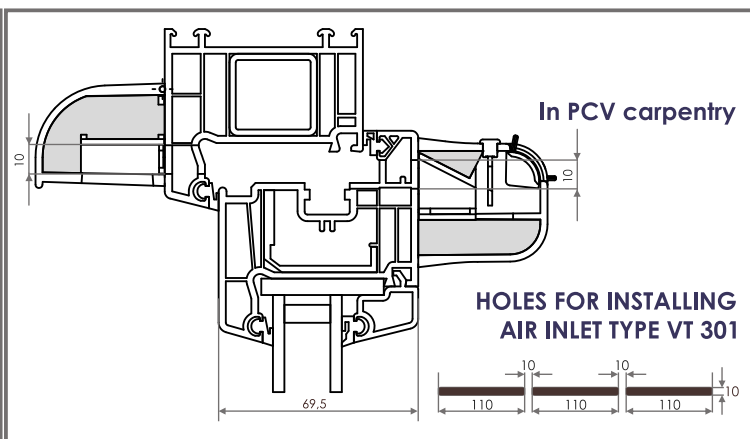
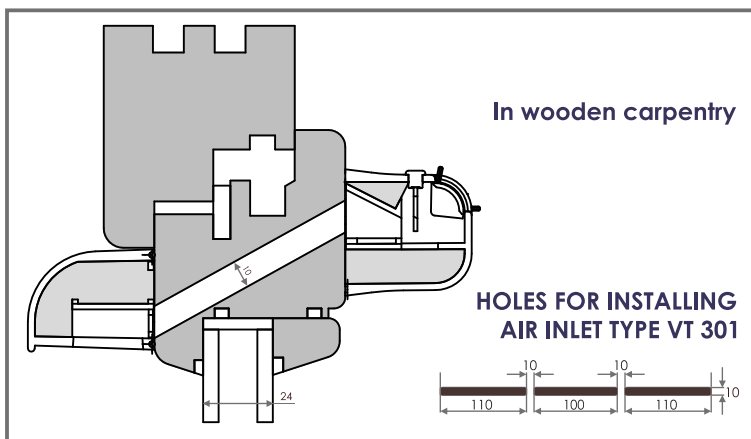
23 m³/h ($\Delta p = 10$ Pa)

Acoustic

$D_{n,e,w}(C;C_{tr}) = 40$ (0;-1) dB



THE WAY OF INSTALLATION

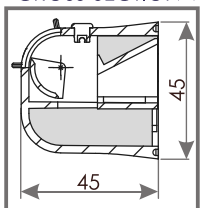


VENTEC VT 301 - shades variety

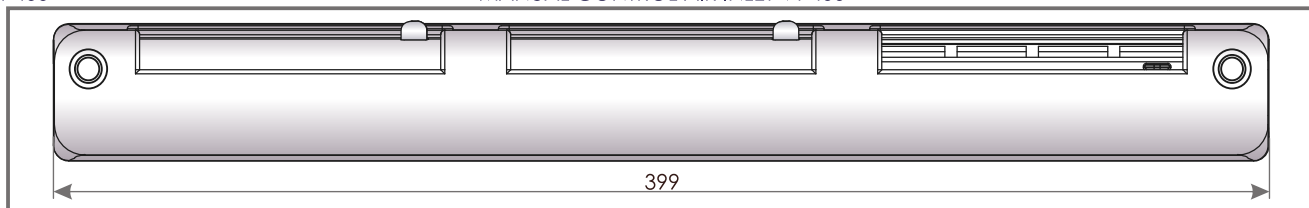
Symbol	VT301	VT312	VT313	VT314	VT315	VT322	VT323	VT324	VT325
Inner colour	RAL 9003	RAL 9003	RAL 9003	RAL 9003	RAL 9003	RAL 8001	RAL 8017	RAL 7047	RAL 7016
Outer colour	RAL 9003	RAL 8001	RAL 8017	RAL 7047	RAL 7016	RAL 8001	RAL 8017	RAL 7047	RAL 7016

ACOUSTIC AIR INLET VENTEC VT 401

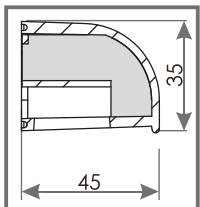
CROSS-SECTION VT 400



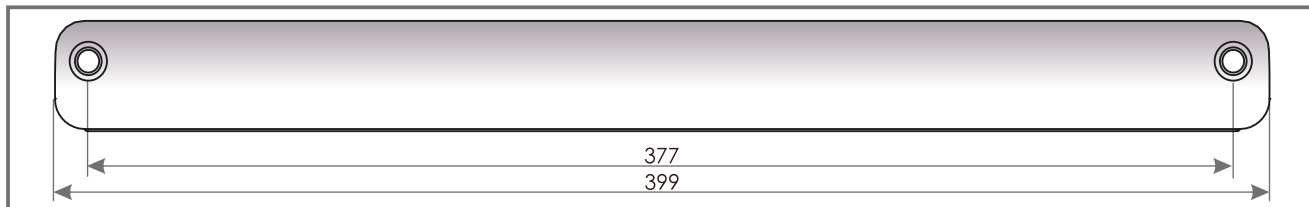
MANUAL CONTROL AIR INLET VT 400



CROSS-SECTION OZ 400

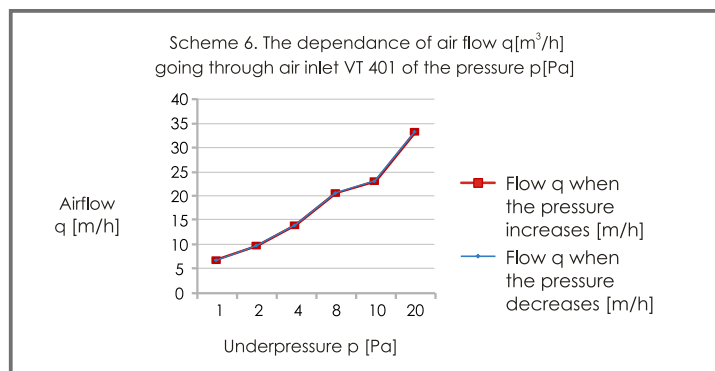


ACOUSTIC CANOPY OZ 400

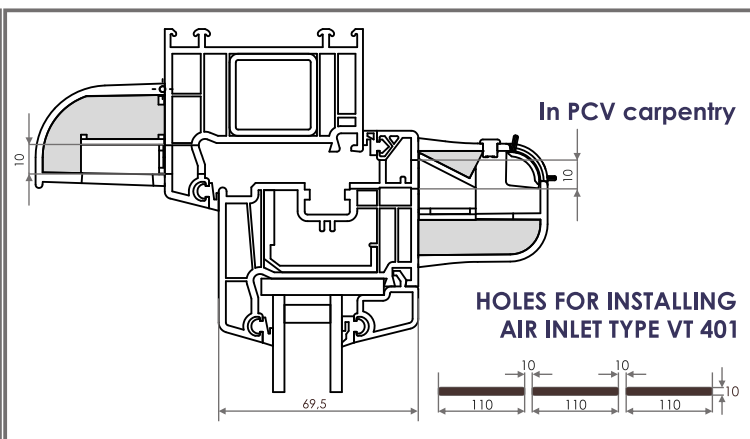
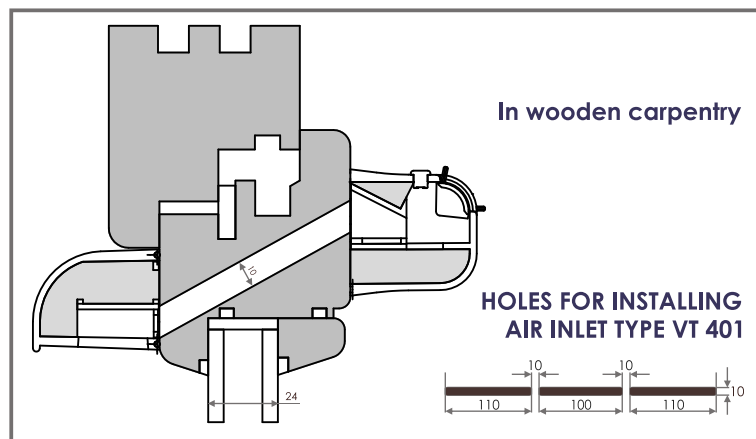


TECHNICAL CHARACTERISTICS

Airflow	23 m ³ /h ($\Delta p = 10$ Pa)
Acoustic	$D_{n,e,w} (C; C_{tr}) = 40 (0; -1)$ dB



THE WAY OF INSTALLATION

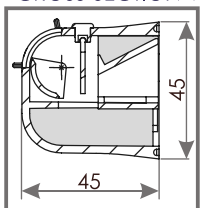


VENTEC VT 401 - shades variety

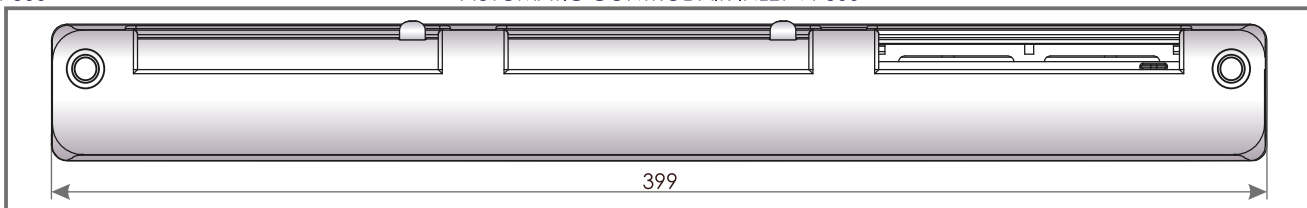
Symbol	VT401	VT412	VT413	VT414	VT415	VT422	VT423	VT424	VT425
Inner colour	RAL 9003	RAL 9003	RAL 9003	RAL 9003	RAL 9003	RAL 8001	RAL 8017	RAL 7047	RAL 7016
Outer colour	RAL 9003	RAL 8001	RAL 8017	RAL 7047	RAL 7016	RAL 8001	RAL 8017	RAL 7047	RAL 7016

ACOUSTIC AIR INLET VENTEC VT 701

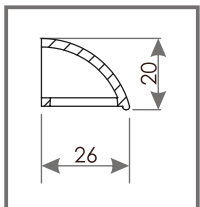
CROSS-SECTION VT 300



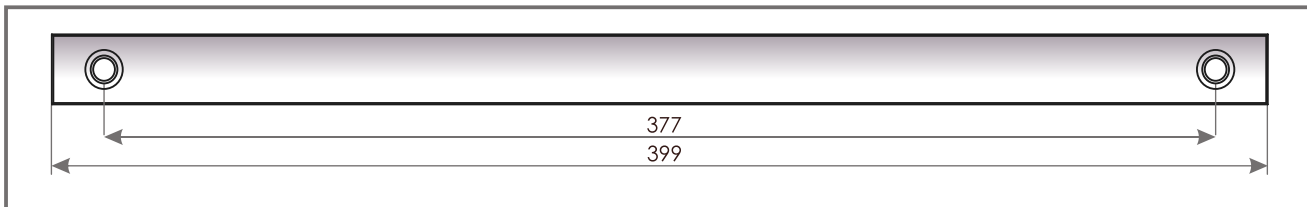
AUTOMATIC CONTROL AIR INLET VT 300



CROSS-SECTION OZ 100

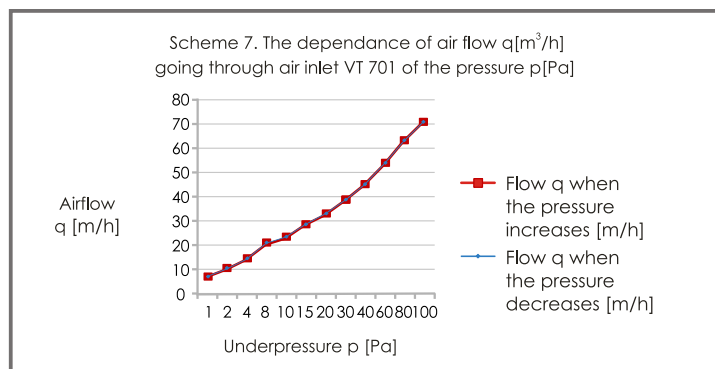


OUTER CANOPY OZ 100

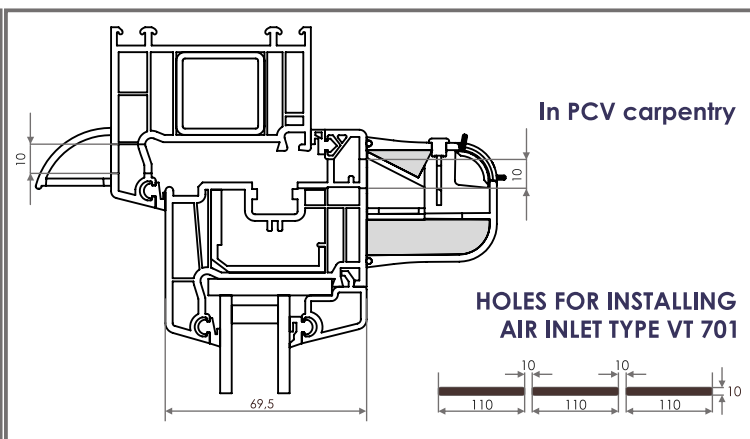
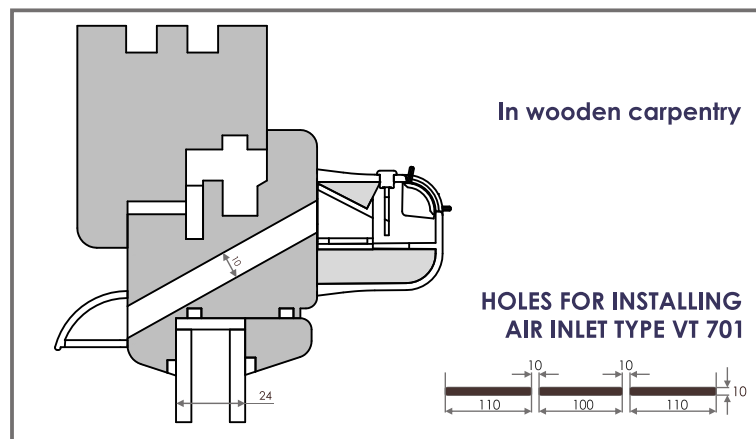


TECHNICAL CHARACTERISTICS

Airflow	24 m ³ /h ($\Delta p = 10$ Pa)
Acoustic	$D_{n,e,w}(C;C_{tr}) = 36 (0; 0)$ dB



THE WAY OF INSTALLATION

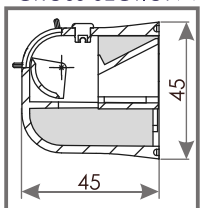


VENTEC VT 701 - shades variety

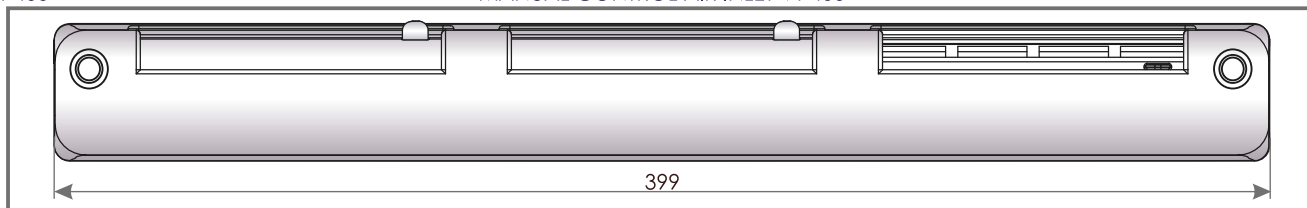
Symbol	VT701	VT712	VT713	VT714	VT715	VT722	VT723	VT724	VT725
Inner colour	RAL 9003	RAL 9003	RAL 9003	RAL 9003	RAL 9003	RAL 8001	RAL 8017	RAL 7047	RAL 7016
Outer colour	RAL 9003	RAL 8001	RAL 8017	RAL 7047	RAL 7016	RAL 8001	RAL 8017	RAL 7047	RAL 7016

ACOUSTIC AIR INLET VENTEC VT 801

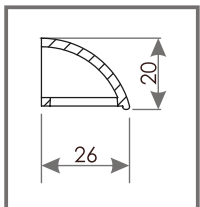
CROSS-SECTION VT 400



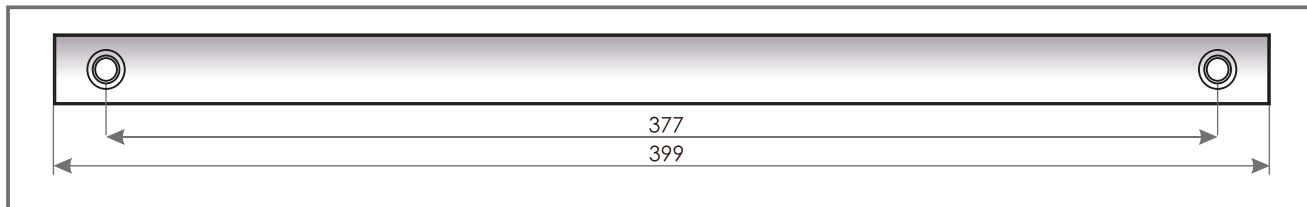
MANUAL CONTROL AIR INLET VT 400



CROSS-SECTION OZ 100

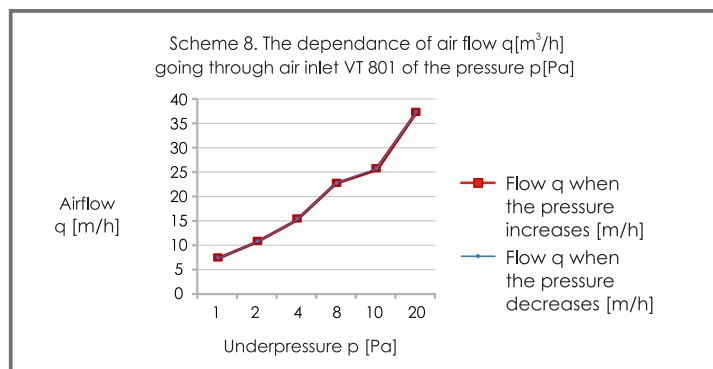


OUTER CANOPY OZ 100

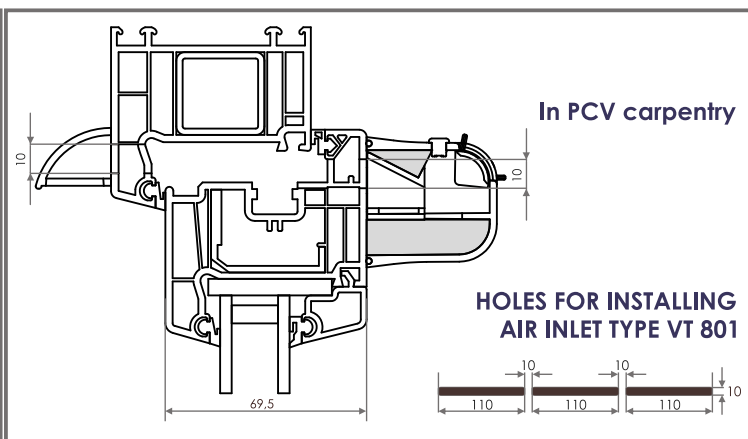
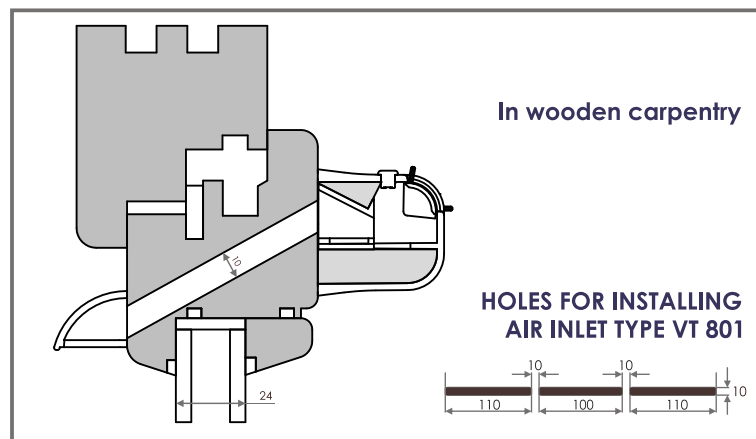


TECHNICAL CHARACTERISTICS

Airflow	26 m ³ /h ($\Delta p = 10$ Pa)
Acoustic	$D_{n,e,w}(C;C_{tr}) = 36(0;0)$ dB



THE WAY OF INSTALLATION

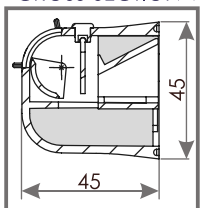


VENTEC VT 801 - shades variety

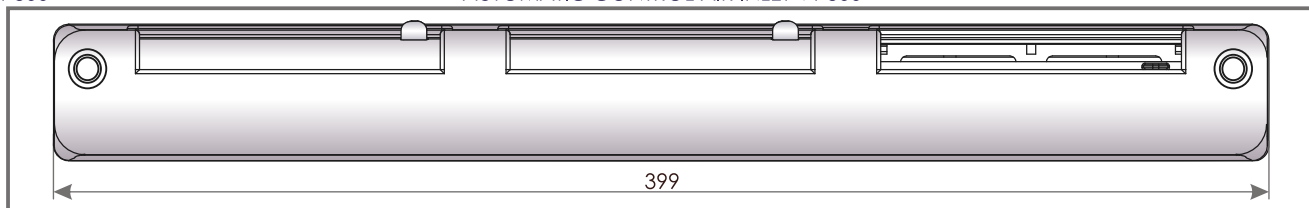
Symbol	VT801	VT812	VT813	VT814	VT815	VT822	VT823	VT824	VT825
Inner colour	RAL 9003	RAL 9003	RAL 9003	RAL 9003	RAL 9003	RAL 8001	RAL 8017	RAL 7047	RAL 7016
Outer colour	RAL 9003	RAL 8001	RAL 8017	RAL 7047	RAL 7016	RAL 8001	RAL 8017	RAL 7047	RAL 7016

ACOUSTIC AIR INLET VENTEC VT 901

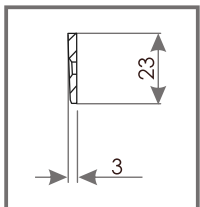
CROSS-SECTION VT 300



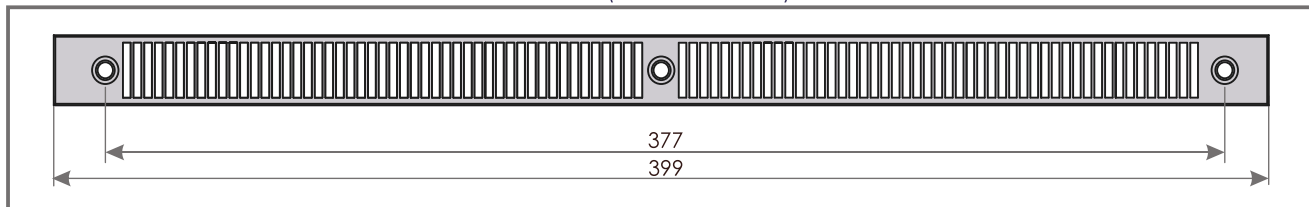
AUTOMATIC CONTROL AIR INLET VT 300



CROSS-SECTION OZ 300



FLAT CANOPY (UNDER SHUTTERS) OZ 300



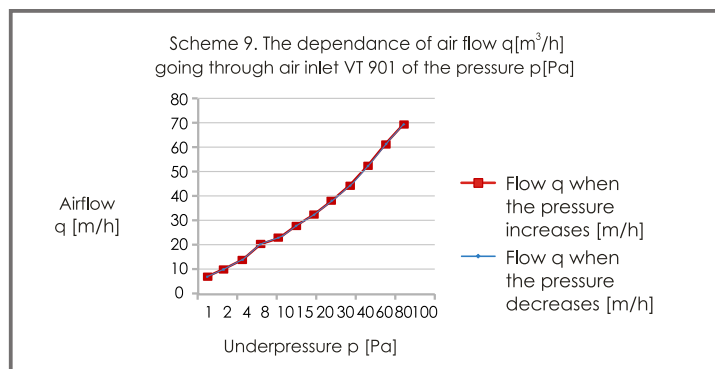
TECHNICAL CHARACTERISTICS

Airflow

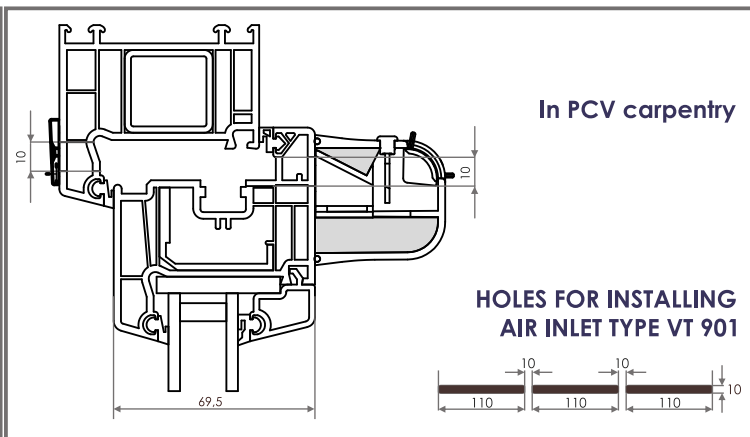
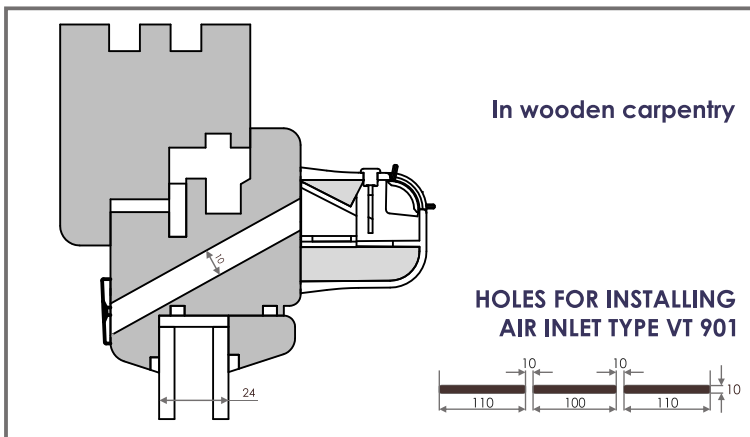
23 m³/h ($\Delta p = 10$ Pa)

Acoustic

$D_{n,e,w} (C;C_{tr}) = 38 (-1;-1)$ dB



THE WAY OF INSTALLATION

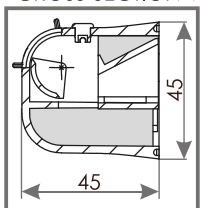


VENTEC VT 901 - shades variety

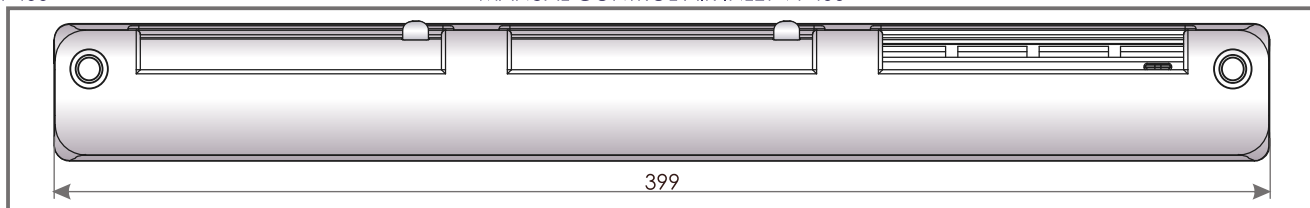
Symbol	VT901	VT912	VT913	VT914	VT915	VT922	VT923	VT924	VT925
Inner colour	RAL 9003	RAL 9003	RAL 9003	RAL 9003	RAL 9003	RAL 8001	RAL 8017	RAL 7047	RAL 7016
Outer colour	RAL 9003	RAL 8001	RAL 8017	RAL 7047	RAL 7016	RAL 8001	RAL 8017	RAL 7047	RAL 7016

ACOUSTIC AIR INLET VENTEC VT 1001

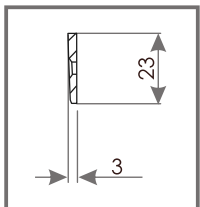
CROSS-SECTION VT 400



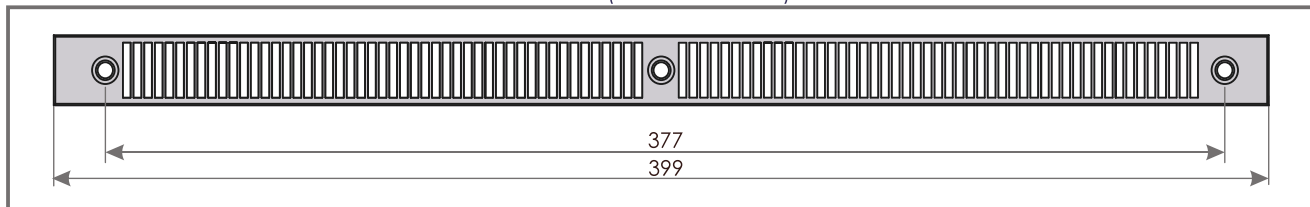
MANUAL CONTROL AIR INLET VT 400



CROSS-SECTION OZ 300

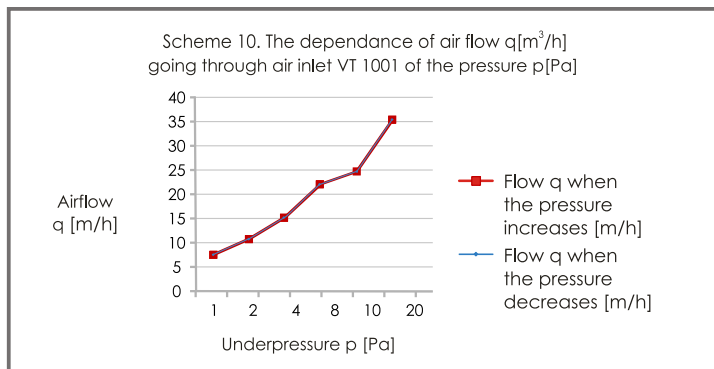


FLAT CANOPY (UNDER SHUTTERS) OZ 300

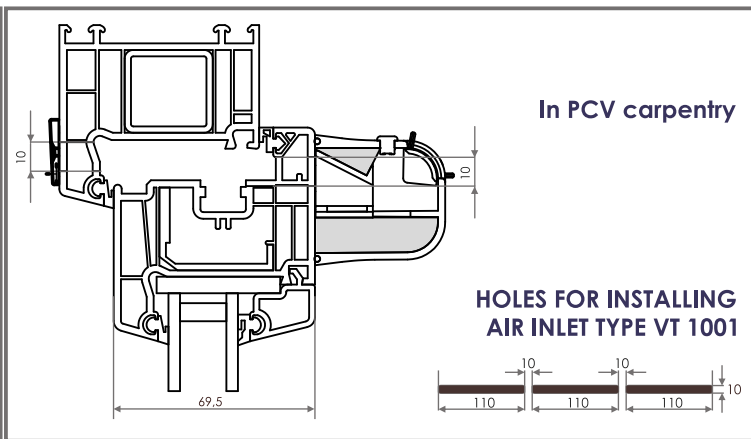
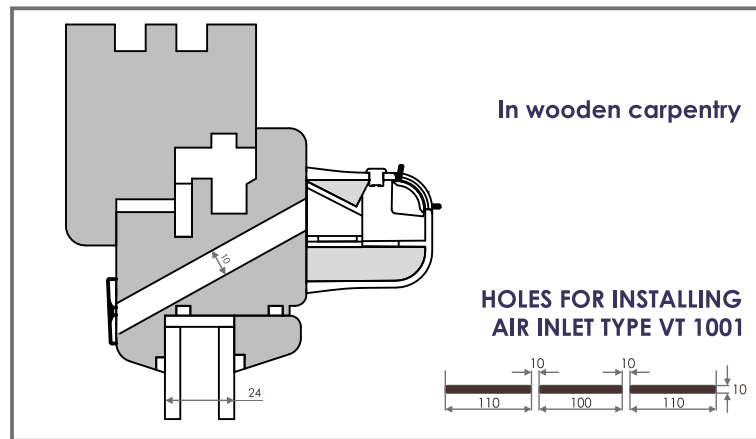


TECHNICAL CHARACTERISTICS

Airflow	25 m ³ /h ($\Delta p = 10$ Pa)
Acoustic	$D_{n,e,w}(C;C_{tr}) = 38 (-1;-1)$ dB



THE WAY OF INSTALLATION



VENTEC VT 1001 - shades variety

Symbol	VT1001	VT1012	VT1013	VT1014	VT1015	VT1022	VT1023	VT1024	VT1025
Inner colour	RAL 9003	RAL 9003	RAL 9003	RAL 9003	RAL 9003	RAL 8001	RAL 8017	RAL 7047	RAL 7016
Outer colour	RAL 9003	RAL 8001	RAL 8017	RAL 7047	RAL 7016	RAL 8001	RAL 8017	RAL 7047	RAL 7016